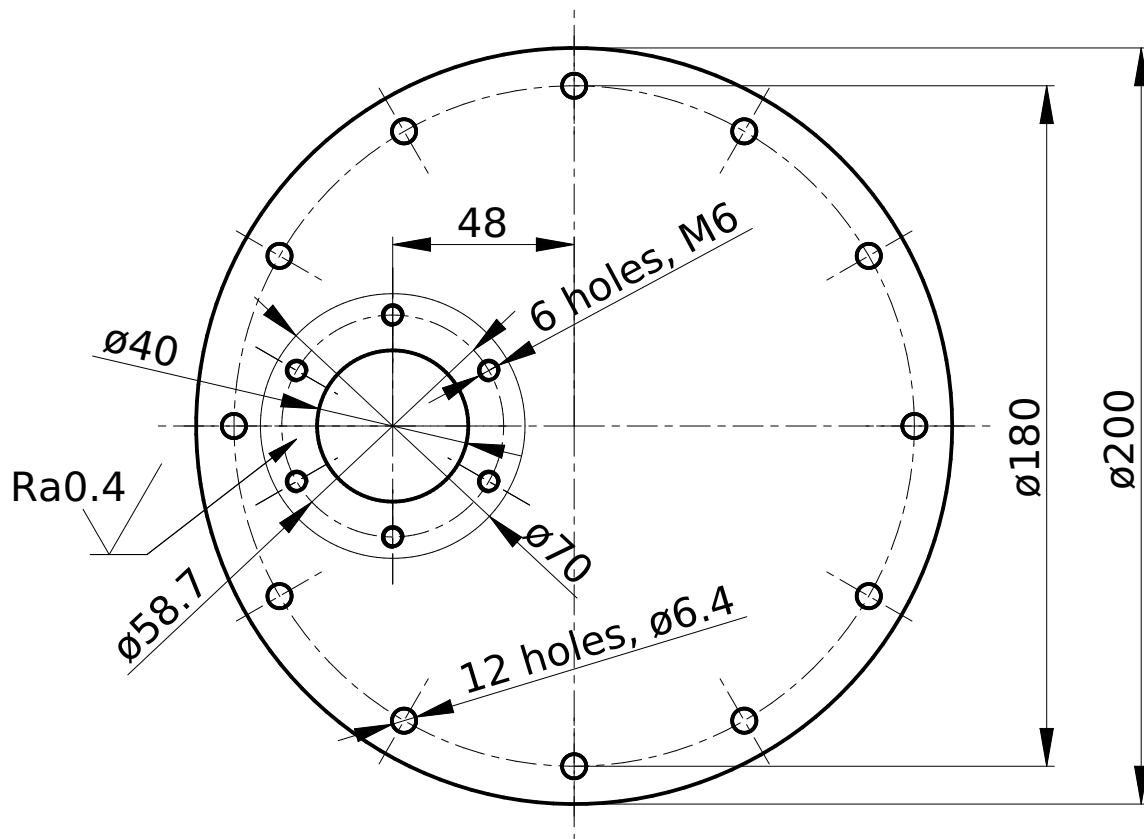


Ra3.2

Z\*



Ostre krawędzie fazować 0.2.

Grubość 3mm.

Z\* - strona zewnętrzna (stronę  
zewnętrzną niklować).

		size	scale	qty	rev.	designed by	date
ISO 2768-f			1:2	1		Arsenii Riazantsev	
		material			checked by	date	
		Copper			Jacek Kurzyna		
					<b>Wall cover Type C</b>		
<small>This drawing is property of IPPLM, Hery 23, 01-497 Warsaw, Poland; It can't be reproduced or communicated without our written agreement.</small>					Thermal test system		1/1