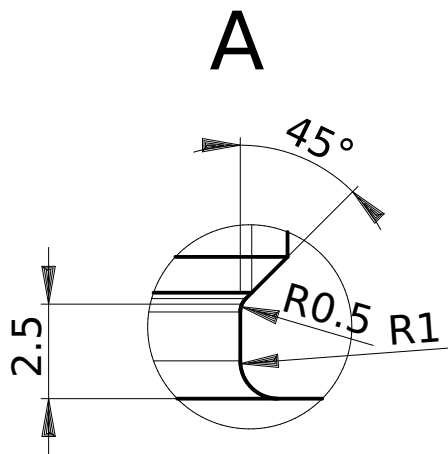
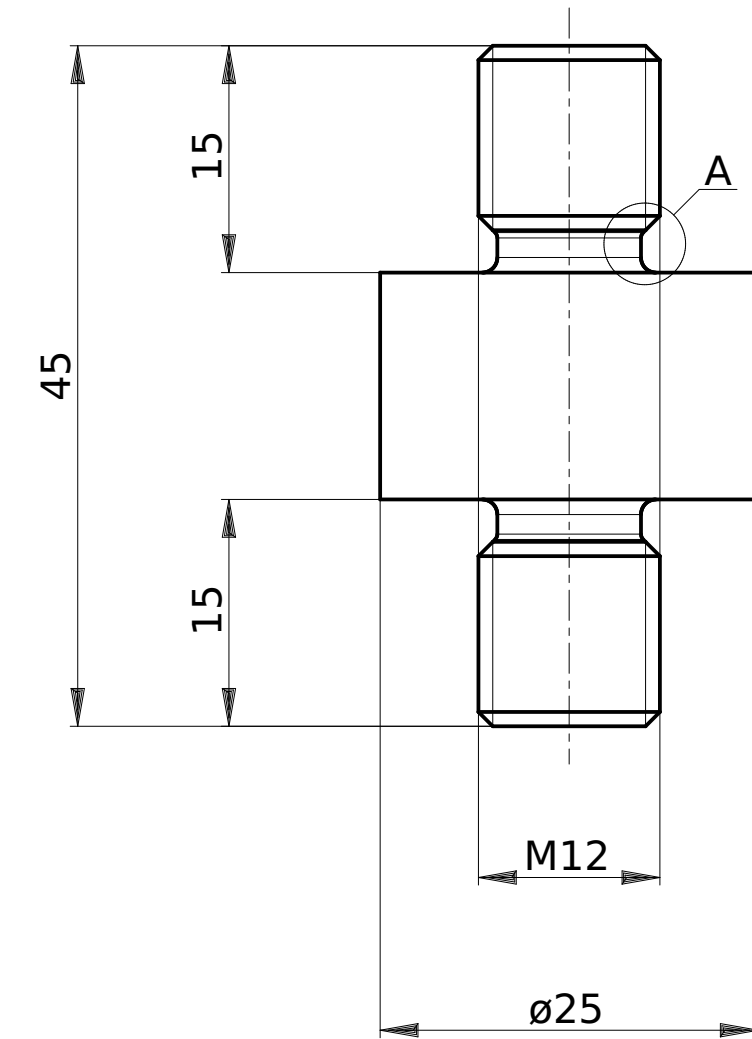


Ra1.6



Ostre krawędzie fazować 0.2.

		size	scale 2:1	qty 8	rev.	designed by Arsenii Riazantsev	date
tolerances 2768-f		material PTFE		checked by Jacek Kurzyna		date	
				<b>Table spacer</b>			
<small>This drawing is property of IPPLM, Hery 23, 01-497 Warsaw, Poland; It can't be reproduced or communicated without our written agreement.</small>							