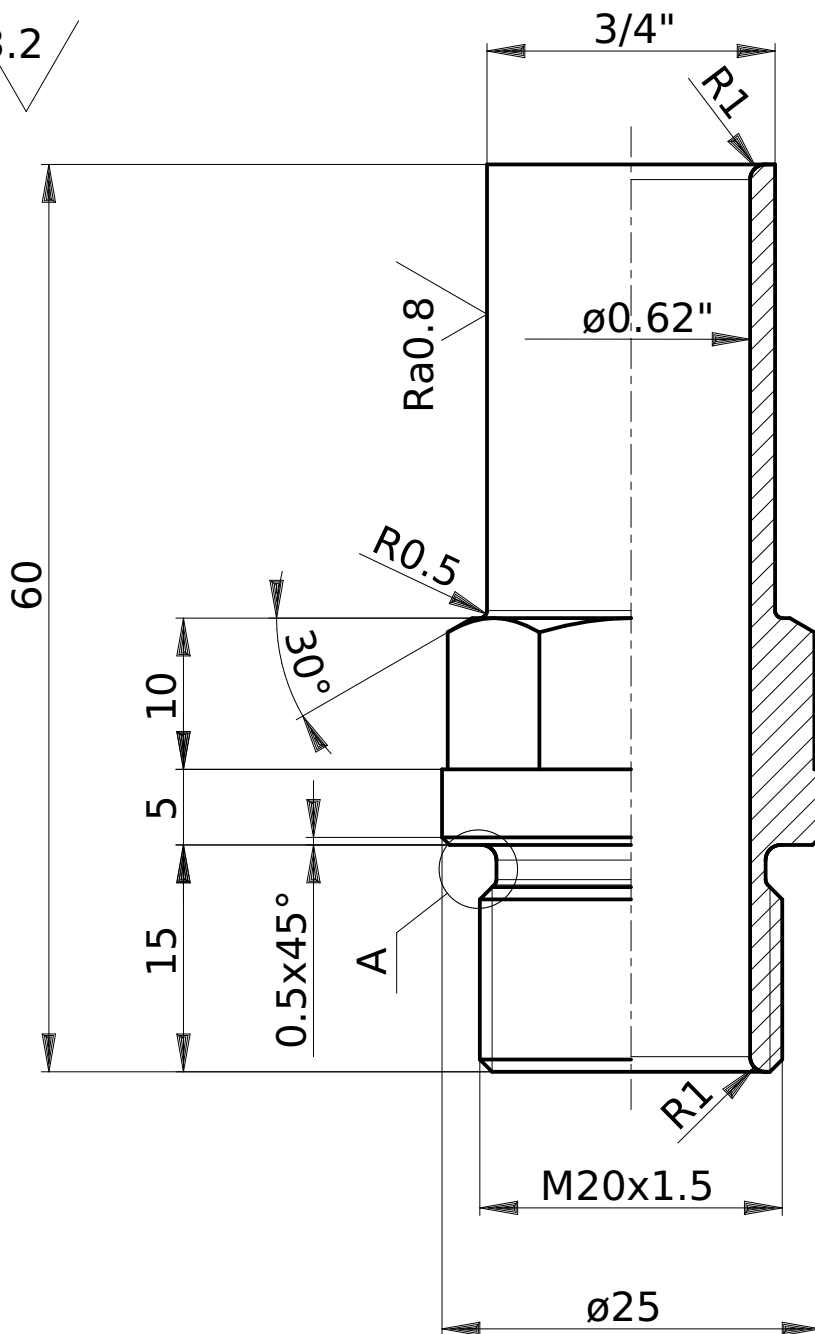
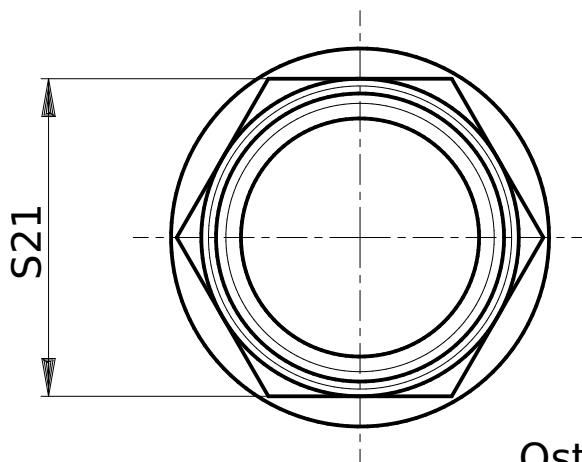
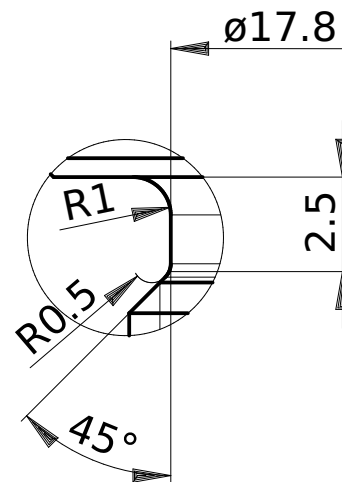


Ra3.2



A (5:1)



Ostre krawędzie fazować 0.2.

		size	scale 2:1	qty 2	rev.	designed by Arsenii Riazantsev	date
tolerances ISO 2768-f		material Al 6061		checked by Jacek Kurzyna		date	
					Table fitting		
<small>This drawing is property of IPPLM, Hery 23, 01-497 Warsaw, Poland; It can't be reproduced or communicated without our written agreement.</small>							