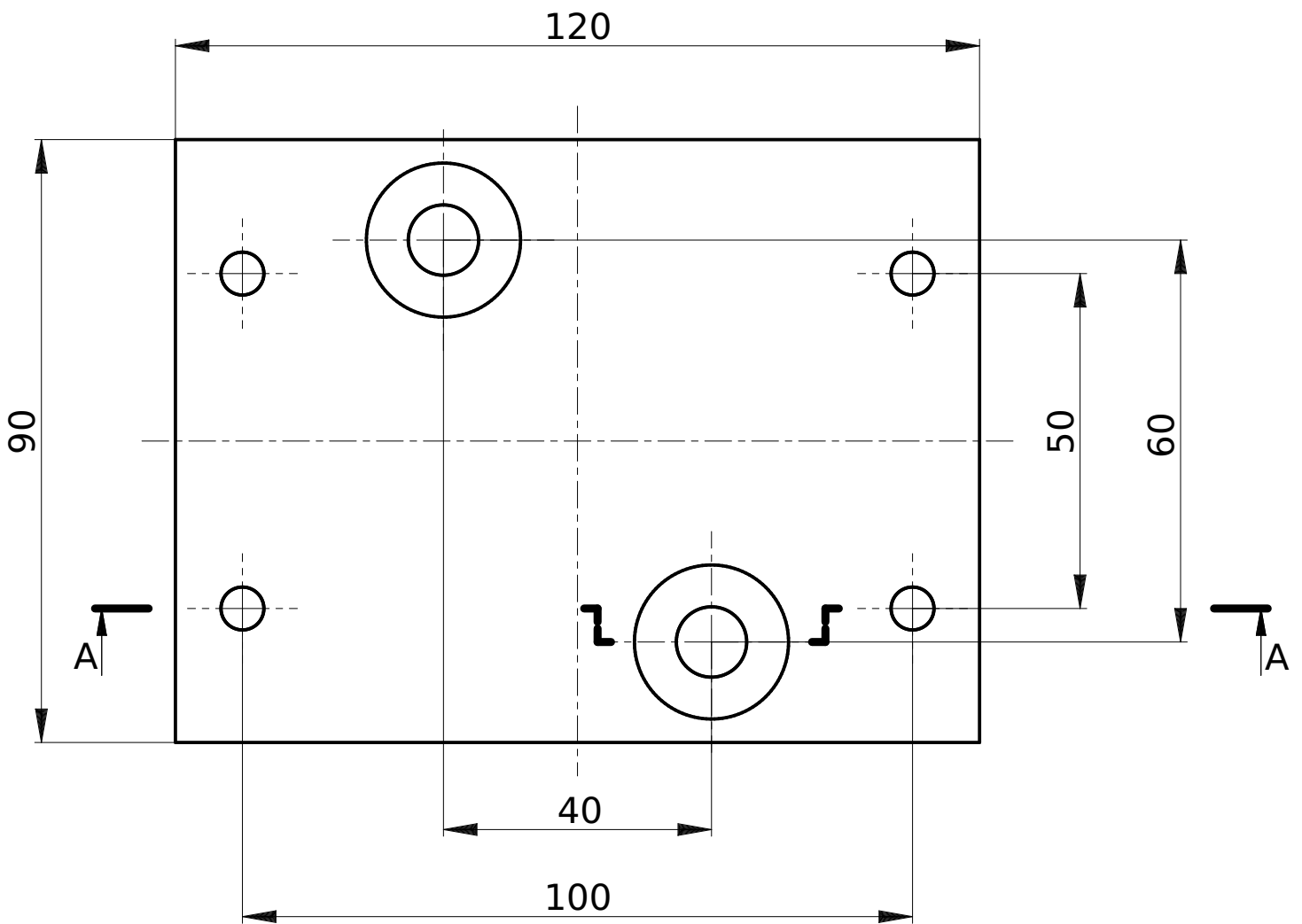
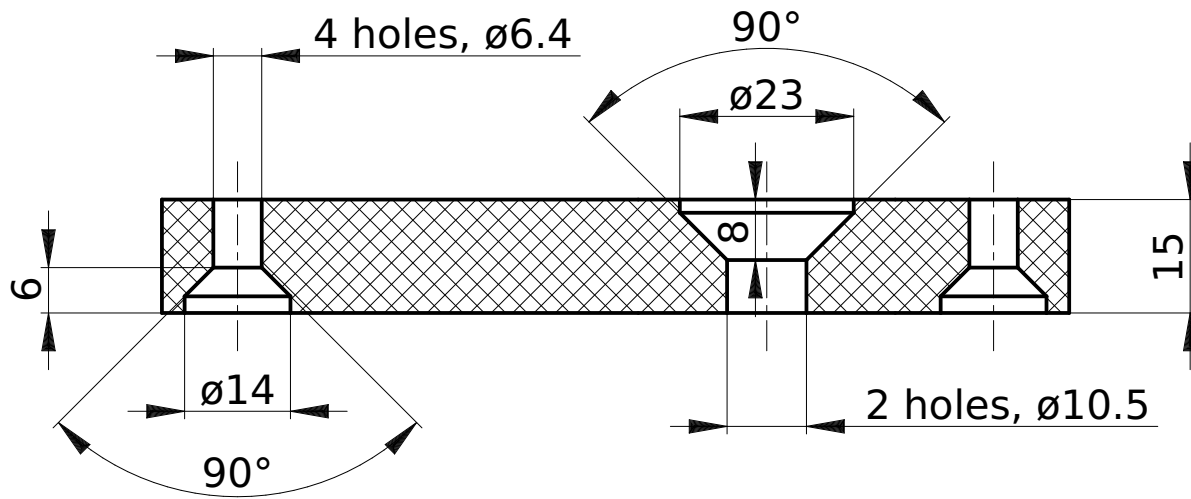


A-A



Ostre krawędzie fazować 0.2.

		size	scale	qty	rev.	designed by	date
ISO 2768-f	PTFE		1:1	4		Arsenii Riazantsev	
						checked by	date
						Jacek Kurzyna	
						Insulating plate	
						This drawing is property of IPiLM, Hery 23, 01-497 Warsaw, Poland; It can't be reproduced or communicated without our written agreement.	