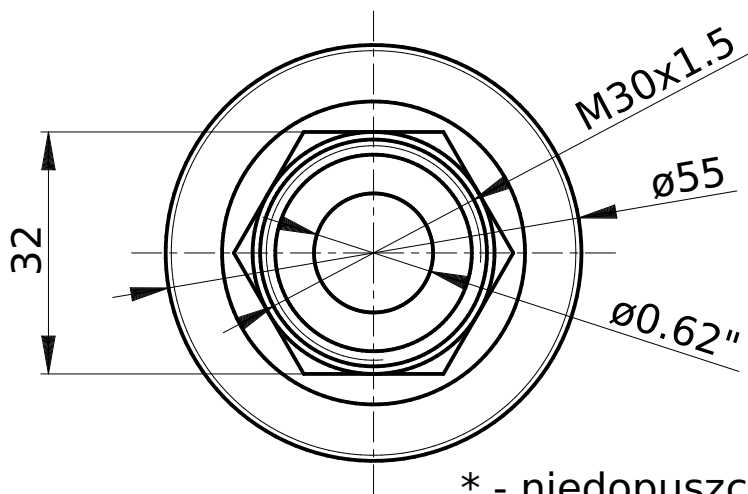
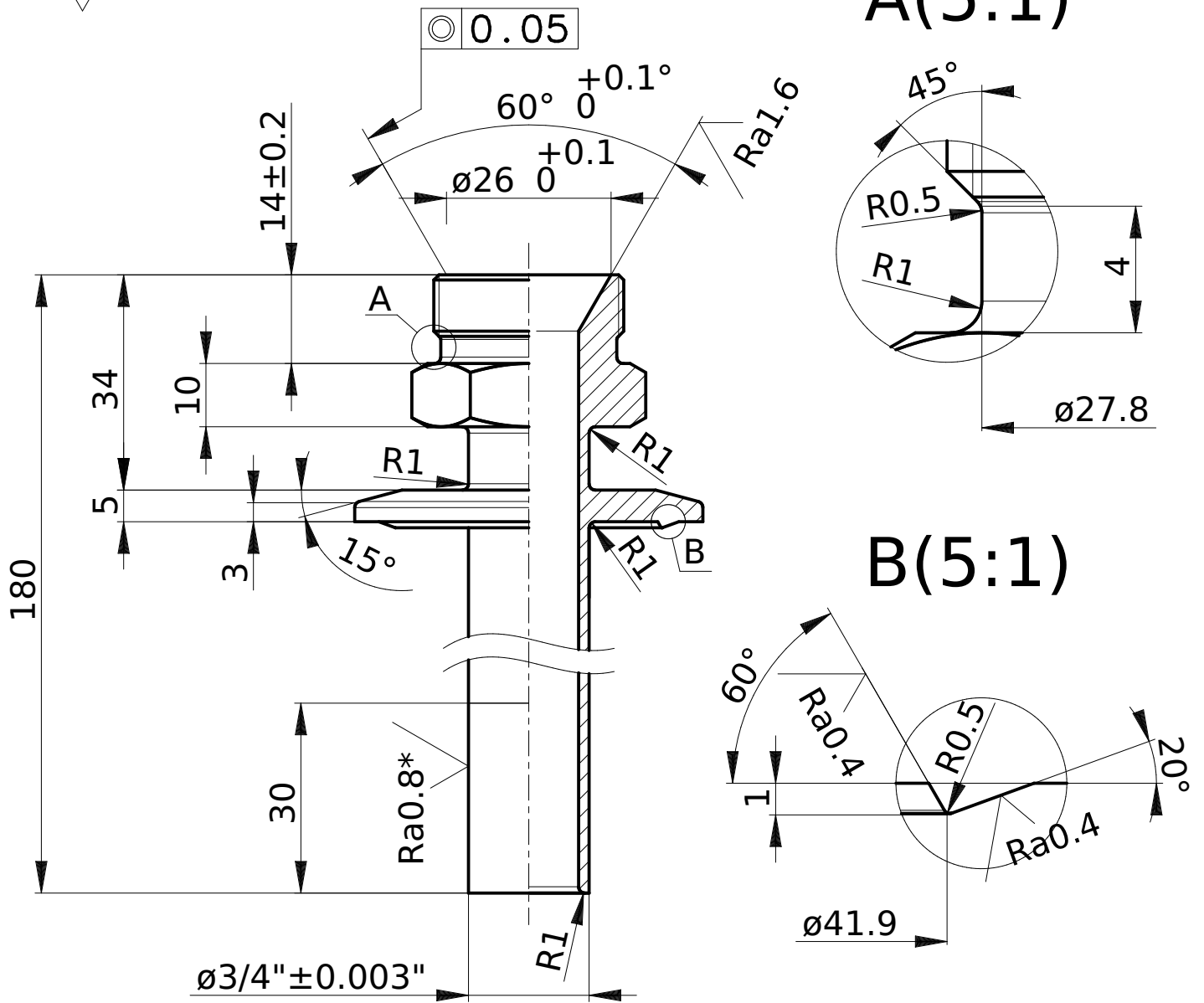


Ra3.2



* - niedopuszczalne rysy wzdłuż osi.

		size	scale	qty	rev.	designed by	date
			1:1	1		Arsenii Riazantsev	
tolerances		material		checked by		date	
ISO 2768-f		Stainless Steel		Jacek Kurzyna			
						Adapter flange Type B	
						project	
This drawing is property of IPPLM, Hery 23, 01-497 Warsaw, Poland; It can't be reproduced or communicated without our written agreement.						Thermal test system	
						1/1	