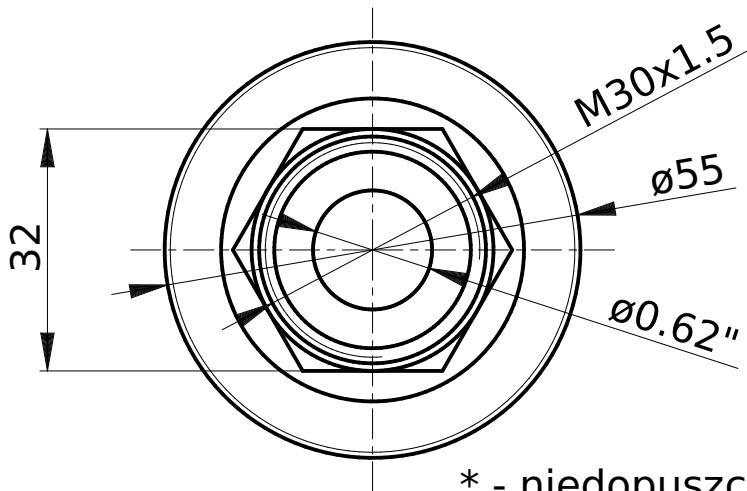
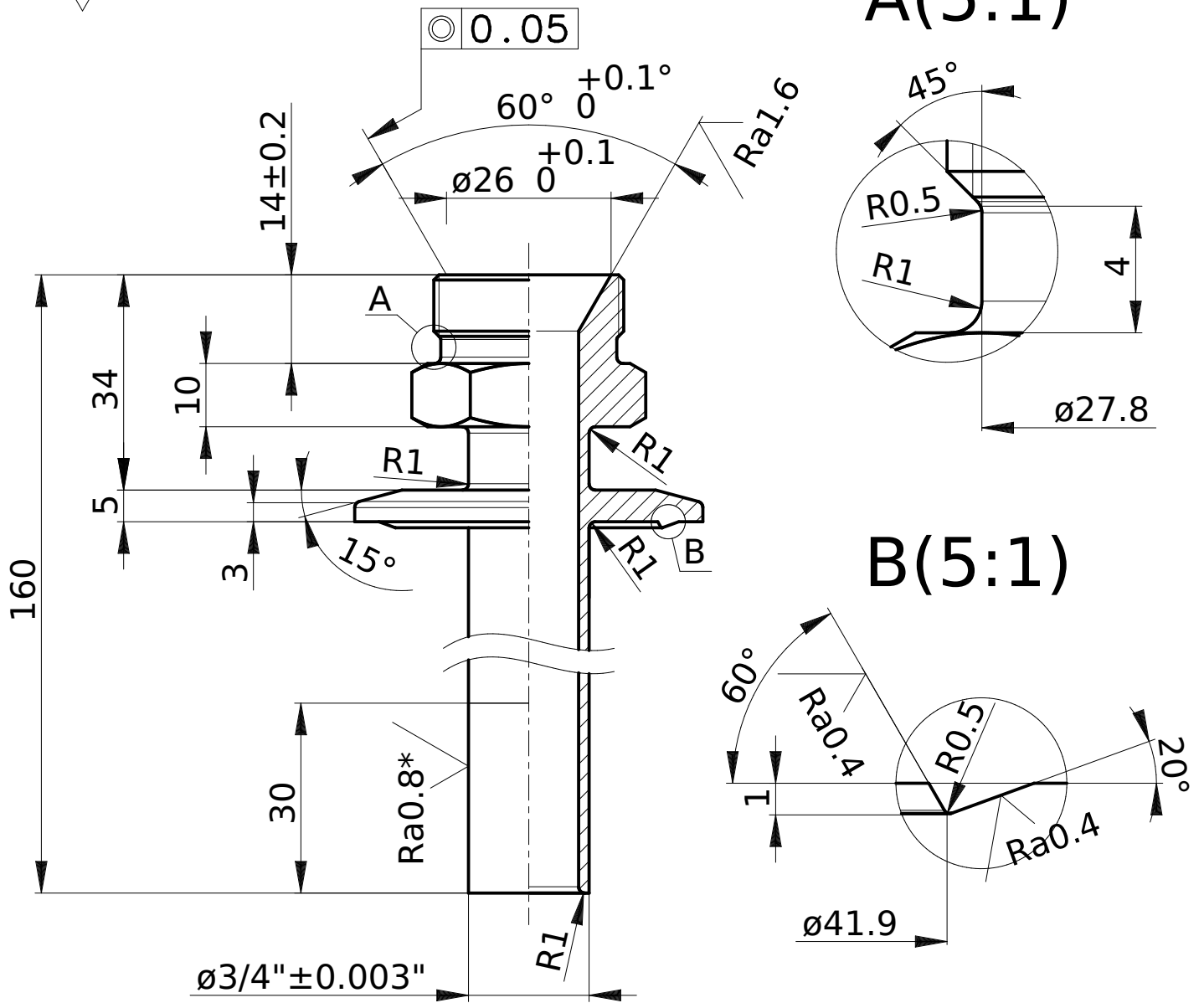


Ra3.2



* - niedopuszczalne rysy wzdłuż osi.

| | | | | | | | |
|---|--|-----------------|-------|---------------|------|------------------------------|------|
| | | size | scale | qty | rev. | designed by | date |
| | | | 1:1 | 1 | | Arsenii Riazantsev | |
| tolerances | | material | | checked by | | date | |
| ISO 2768-f | | Stainless Steel | | Jacek Kurzyna | | | |
| | | | | | | Adapter flange Type A | |
| | | | | | | | |
| <small>This drawing is property of IPILM, Hery 23, 01-497 Warsaw, Poland; It can't be reproduced or communicated without our written agreement.</small> | | | | | | Thermal test system 1/1 | |